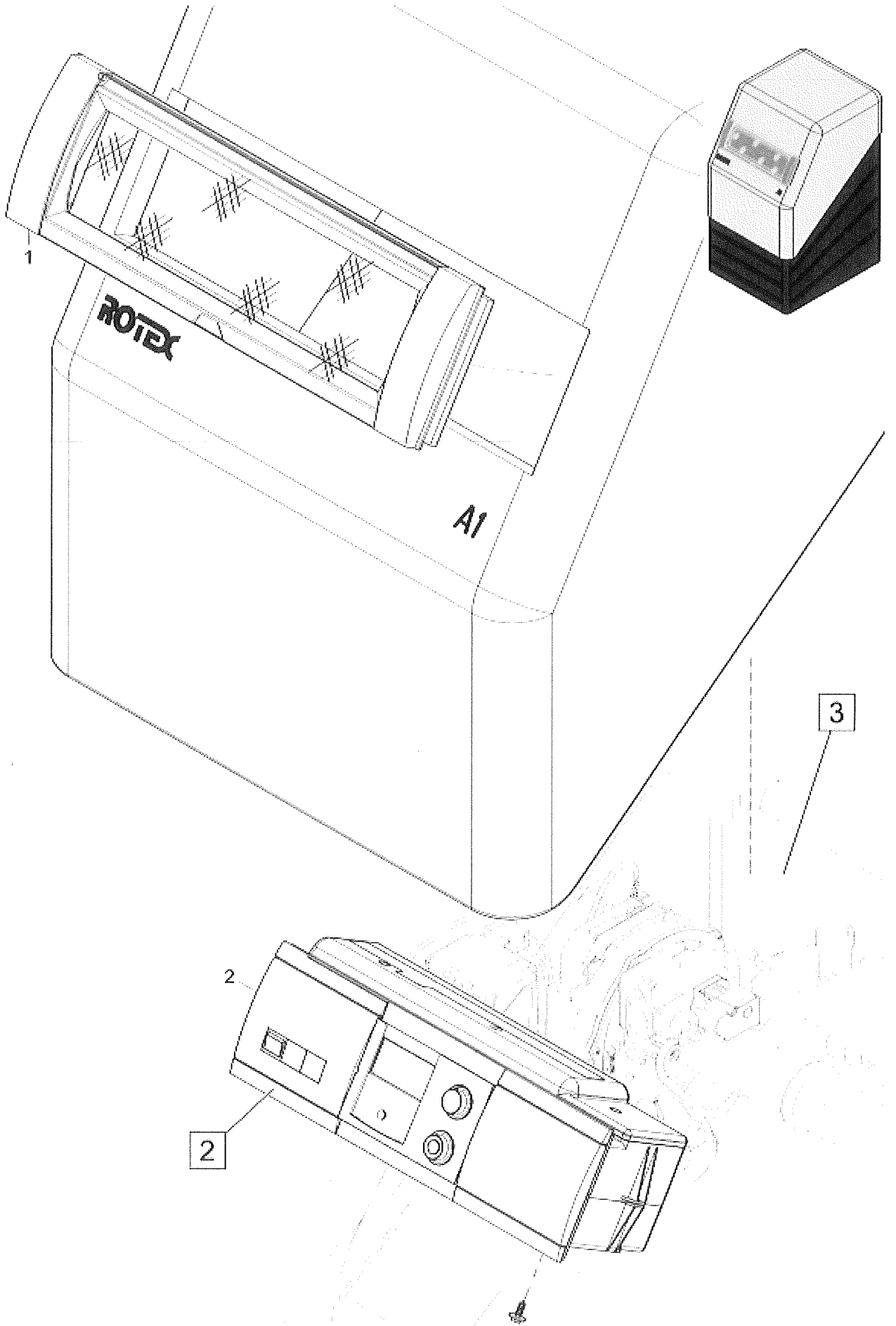


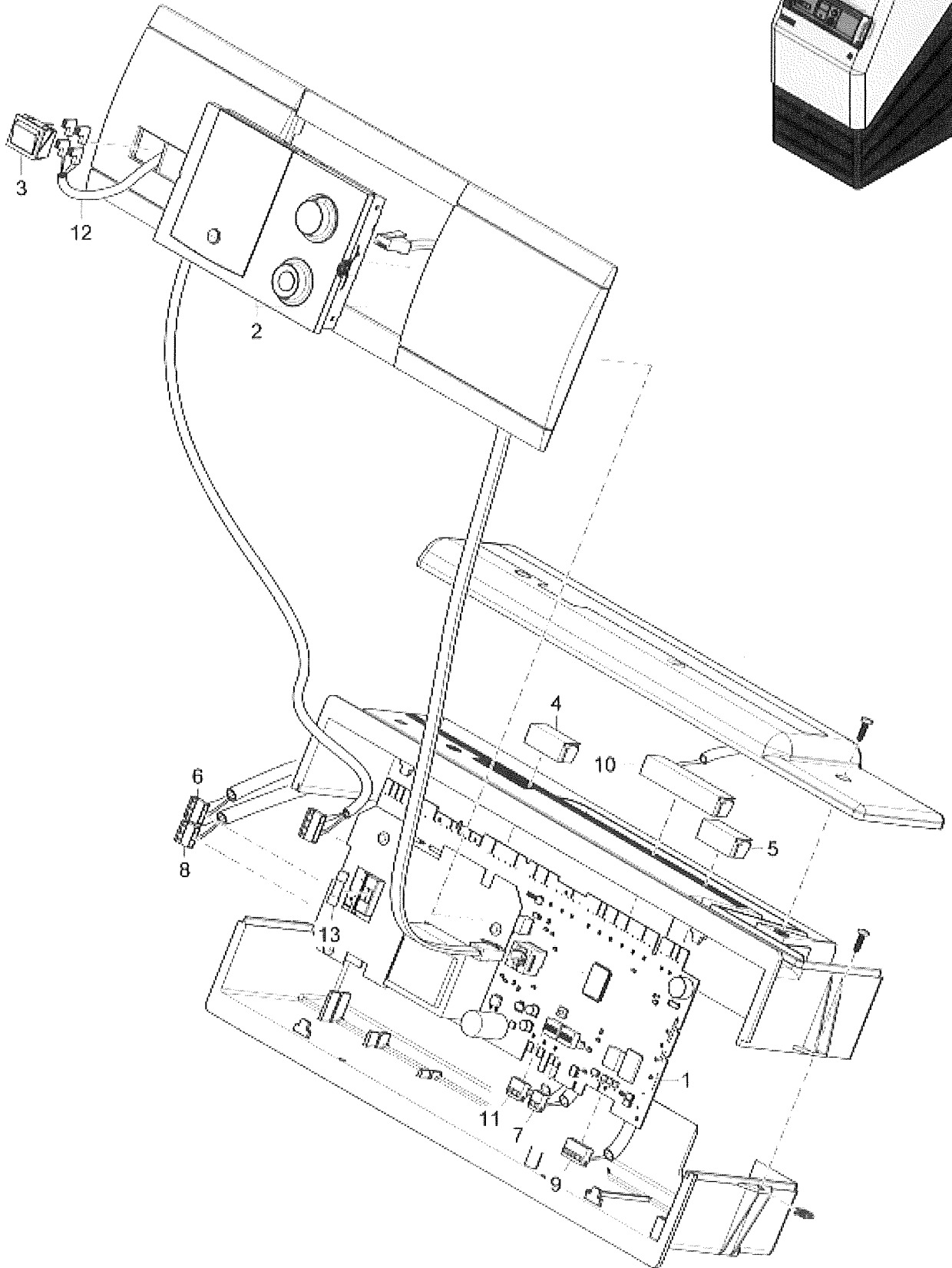
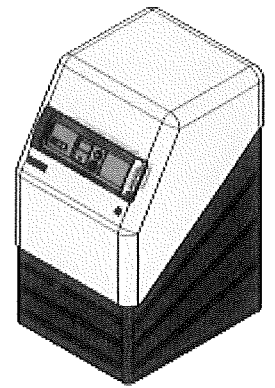
COVER AND OPERATION UNIT

- 1
- 2
- 3
- 4
- 5
- 6



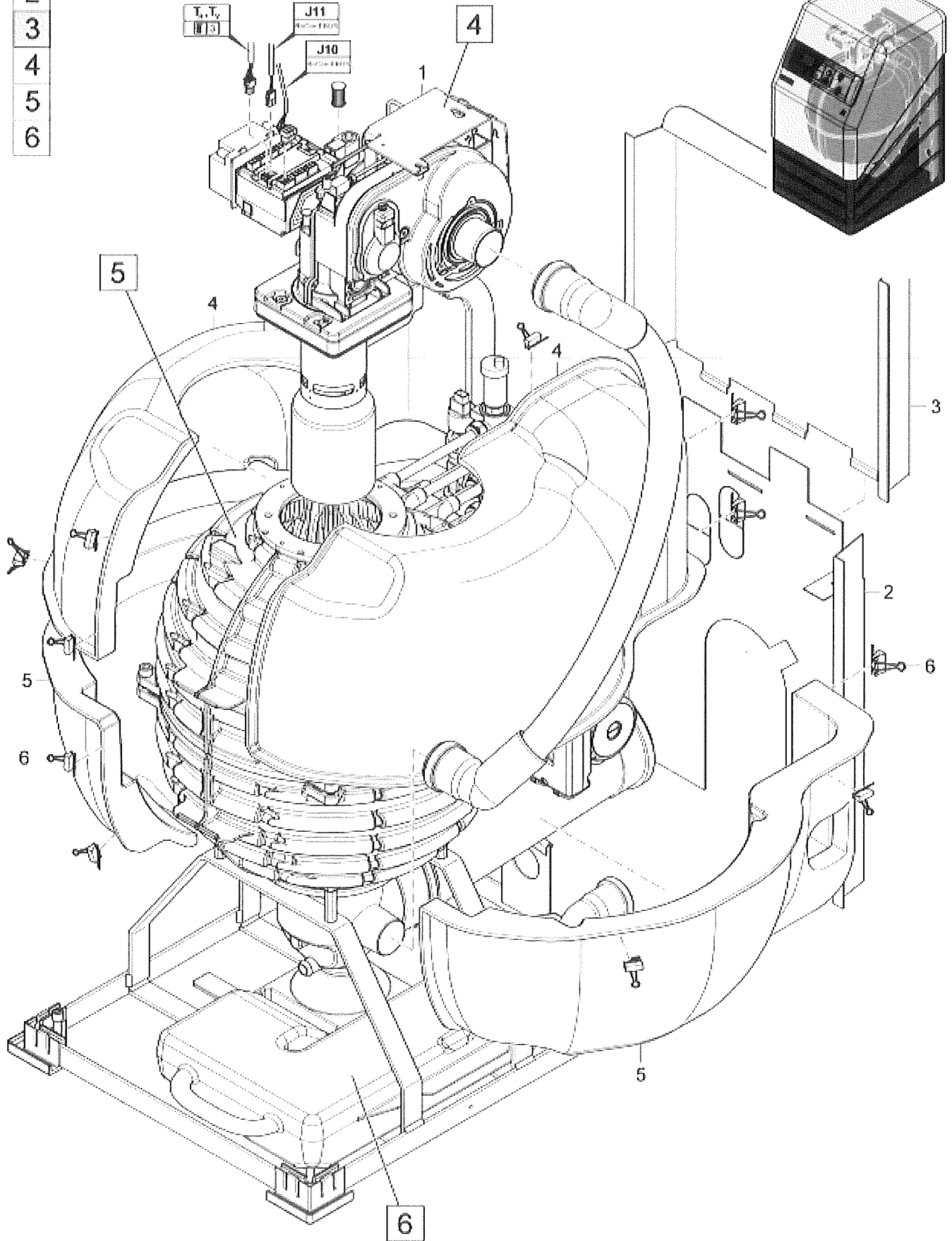
CONTROL UNIT

- 1
- 2
- 3
- 4
- 5
- 6



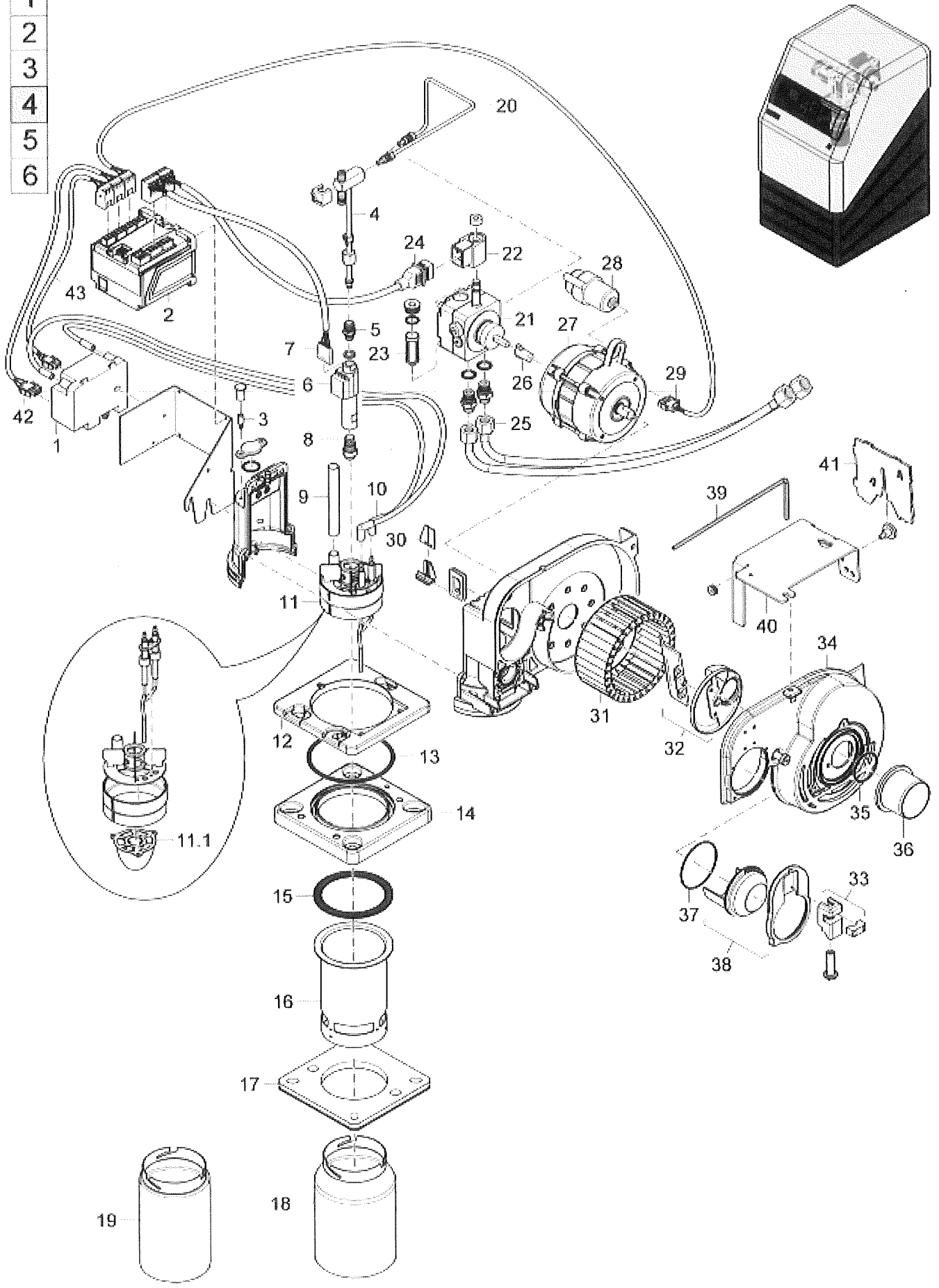
BURNER AND INSULATION

- 1
- 2
- 3
- 4
- 5
- 6



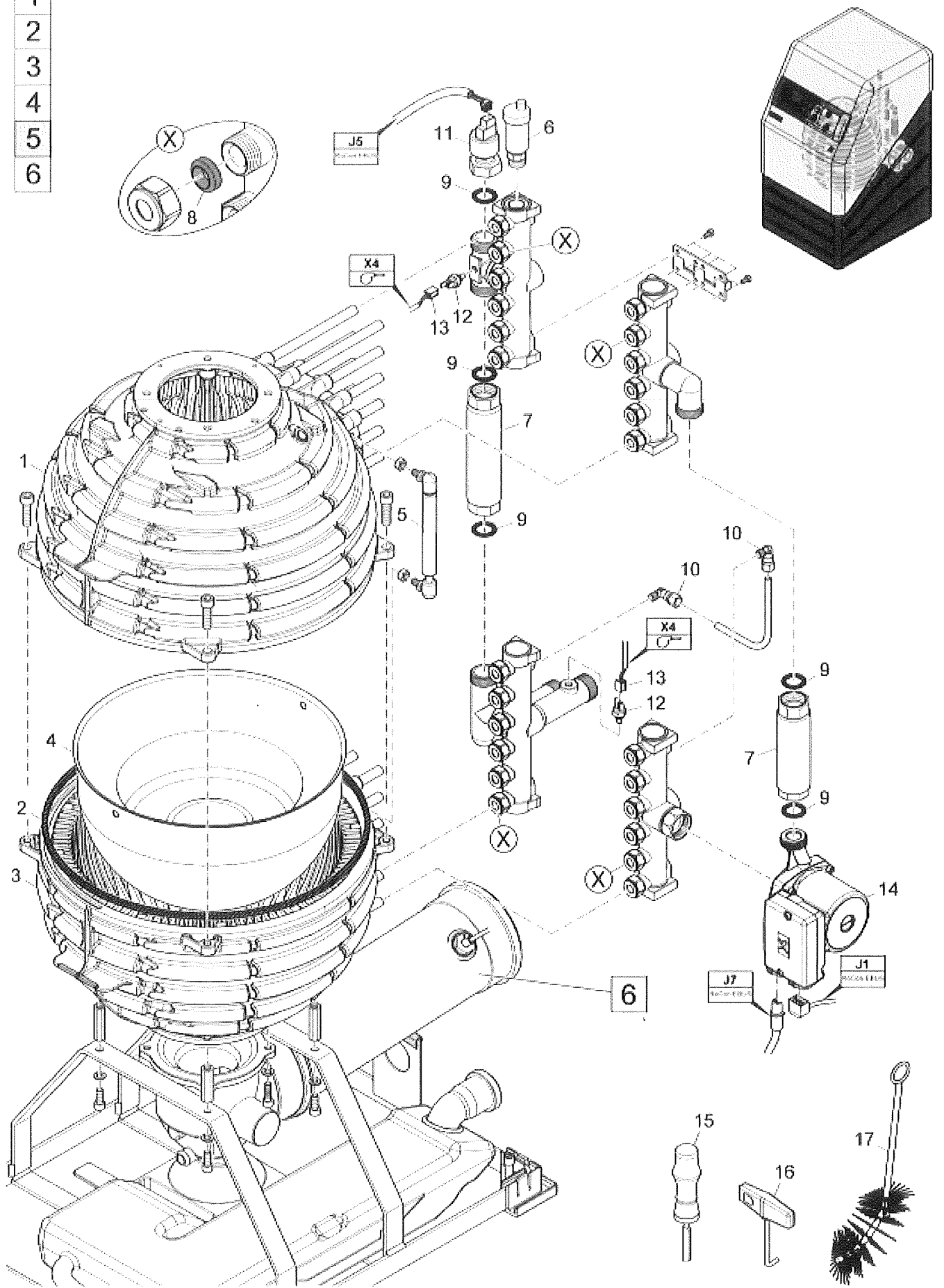
BURNER

- 1
- 2
- 3
- 4
- 5
- 6



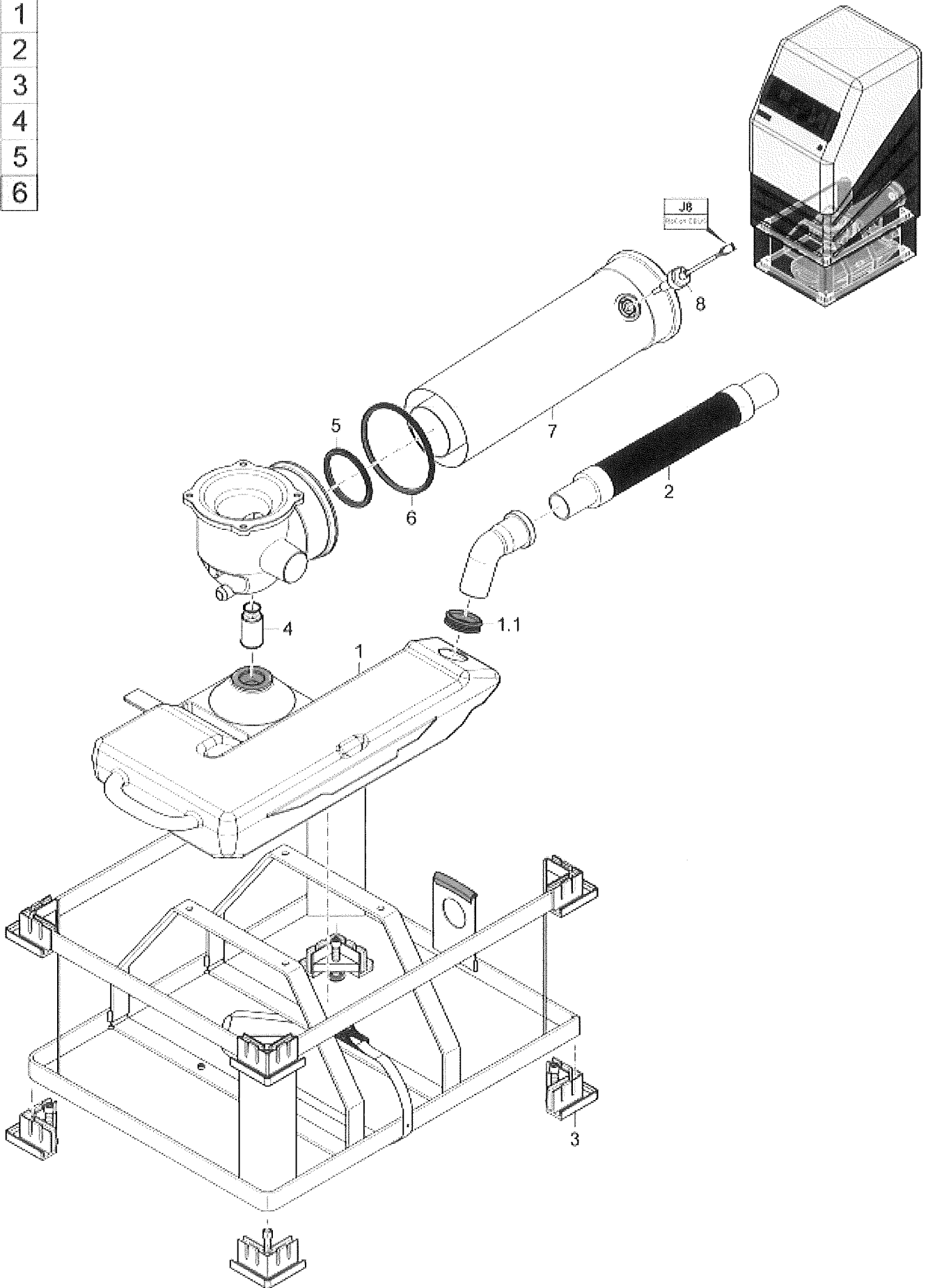
COMBUSTION CHAMBER

- 1
- 2
- 3
- 4
- 5
- 6



CONDENSATE BOX

- 1
- 2
- 3
- 4
- 5
- 6



Repère	Numéro de pièce	Désignation pièces	Néro de sch	Quantité
A1 BO 15-E				
EH06-14				
		COVER + OPERATION UNIT		
1-1	5004931	COVERING PLATE WITH FRONT FRAME A1	E1500411	1
1-2	5011817	OPERATION UNIT A1BO	E1500654	1
		CONTROL UNIT		
2-1	5011820	PCB ROCON EBUS + CABLE	E1500682	1
2-2	5011554	OPERATION UNIT ROCON	E1500681	1
2-3	5005013	MAINS SWITCH GREEN ILLUMINATED	E1500509	1
2-4	5011811	WIECON LPST 1 4-POLIG (CAN-BUS)	E1500710	1
2-5	5011812	WIECON LPST1 4-POLIG (RT-FUNCTION)	E1500711	1
2-6	5011830	PUMP CABLE WITH MOLEX PLUG	E1500693	1
2-7	5011818	CABLE PWM/RM2-J7 A1	E1500656	1
2-8	5011833	CABLE CM-SUPPLY RM2-J10 A1	E1500696	1
2-9	5011832	CABLE E-BUS RM2-J11 A1	E1500695	1
2-10	5011835	CABLE EXHAUSTSENSOR RM2-J8 A1	E1500698	1
2-11	5011831	CABLE PRESSURESENSOR RM2-J5 A1	E1500694	1
2-12	5011814	CABLE POWER SWITCH A1/GSU/ESU	E1500650	1
2-13	5004683	FUSE 6.3 AT	E1500093	1
		BURNER AND INSULATION		
3-1	5011816	OILBURNER BLB 15E / HL 60 NG	E1500653	1
3-2	5011842	A1 LOWER BACKCOVER	E1500705	1
3-3	5011843	A1 UPPER BACKCOVER BO15/20/BG20/25	E1500706	1
3-4	5011196	INSULATION TOP LT/RT	E1500620	1
3-5	5008667	ISOLATION LOWER A1 B015~20 BG25	E1500618	1
3-6	5004684	CLAMP TERMINAL SET 12 PCS	E1500094	1
		BURNER		
4-1	5005018	IGNITION DEVICE WITH FLAME DETECTION	E1500514	1
4-2	5011919	AUTOMATIC STOKER OIL CM165	E1500717	1
4-3	5004885	FLAME MONITOR MOUNTING CPL.	E1500340	1
4-4	5013575	PIPE L.171MM	E1500730	1
4-5	5013576	CONNECTOR NIPPLE F. preheater + SEAL	E1500731	1
4-6	5005880	OIL PREHEATER DANFOSS FPHB /PTC 50	E1500591	1
4-7	5012896	CABLE FOR AUTOMATIC STOKER	E1500747	1
4-8	5005063	OIL NOZZLE 0.35/80CH	E1500563	1
4-9	5008304	LIGHT PIPE A1 Bo	E1500615	1
4-10	5013312	CABLE IGNITION	E1500750	1
4-11	5013578	MIXING HEAD MB 817,5	E1500734	1
4-11.1	5013246	AIR NOZZLE ?dia 17,5 MM F?R BL/B 15	E1500644	1
4-11.1	5004883	AIR NOZZLE F. HL60 GLV.2-S ?????12-20 KW	E1500338	1
4-12	5013582	MINI-BOTTOM PLATE WITH SCREWS	E1500738	1
4-13	5013583	O-RING dia99 X 4 VITON	E1500739	1
4-14	5013584	FLANGE dia80 INCL.O-RING + SCREWS	E1500740	1
4-15	5004880	SEAL FOR FLANGE PLATEID80	E1500334	1
4-16	5004879	BURNER PIPE AD80	E1500333	1
4-17	5013306	SEAL dia80	E1500741	1
4-18	5004877	RECIRCULATION PIPE AD100	E1500331	1
4-18	5012330	RECIRCULATION PIPE AD100/BLB15/20/27	E1500638	1
4-19	5013251	RECIRCULATION PIPE ?BLB 15 ????AD80/160M	E1500645	1
4-20	5005060	OIL PRESSURE LINE HIGH-GRADE STEEL BL15/20	E1500560	1
4-21	5013279	OIL PUMP BFP 21 LE3 F.BLB 15/20/27/35	E1500742	1

H22360

H22445
H22443

H22445

4-22	5004864	MAGNETIC COIL WITH CABLE	E1500310	1
4-23	5004865	FILTER CARTRIDGE MODEL "BFP"	E1500311	1
4-24	5013304	CABLE FOR AUTOMATIC STOKER	E1500751	1
4-25	5005017	METAL OIL HOSE	E1500513	1
4-26	5004896	COUPLING	E1500359	1
4-27	5013299	MOTOR WITH CONDENSATOR ?HANNING (90W)	E1500646	1
4-28	5005011	CAPACITOR 3uF	E1500507	1
4-28	5013249	CONDENSATOR 4UF F. HANNING-MOTOR	E1500647	1
4-29	5013588	CABLE FIREAUTOMAT-MOTOR	E1500752	1
4-30	5004893	RECIRCULATION SCALE CPL.	E1500353	1
4-31	5004873	IMPELLER	E1500325	1
4-32	5004872	INTAKE AIR GUIDE	E1500323	1
4-33	5004869	AIR SETTING CPL.	E1500317	1
4-34	5013585	COVER WITH SCREW	E1500743	1
4-35	5013315	O-RING	E1500744	1
4-36	5013586	AIR INTAKE HL 60 NG dia50MM +SCHR.	E1500745	1
4-37	5013587	O-RING	E1500746	1
4-38	5004870	AIR INTAKE DN36 CPL.	E1500319	1
4-39	5004876	OFFSET SCREWDRIVER SW4 ?60X200 MM	E1500330	1
4-40	5004875	SERVICE POSITION RETAINER	E1500328	1
4-41	5004874	BLUE FLAME-METER	E1500326	1
4-42	5013305	CABLE FOR AUTOMATIC STOKER	E1500748	1
4-43	5013307	CABLE FOR AUTOMATIC STOKER	E1500749	1
		COMBUSTION CHAMBER		
5-1	5005074	EXCHANGER UPPER PART BO/BG ?????AB VERS.T	E1500576	1
5-2	5004737	CERMIC FIBRE 6x6MM PACKING CORD	E1500153	1
5-3	5011542	EXCHANGER PART BELOW 104 RIBS	E1500651	1
5-4	5004939	COMBUSTION CHAMBER LINER dia230 CPL. 1548.	E1500431	1
5-5	5004922	GAS SPRING 750N	E1500390	1
5-6	5004926	AUTOM.VENTILATOR 1/2"	E1500402	1
5-7	5004805	CORRUGATED HOSE SEET BO20/BG25	E1500223	1
5-8	5005071	DISTRIBUTOR SEAL ??(14PCS/VE)	E1500573	1
5-9	5011808	FLAT SEALING 1" KLINGERIT (10PCS/VE)	E1400092	1
5-10	5011505	ANGLE CUTTING RING SCREW CONNECT dia8-1/8'	E1500636	1
5-11	5011524	PRESSURE SENSOR HUBA 505 + LOCKING SPRING	E1500665	1
5-11	5004960	SCREW-IN SENSOR NTC ??????????(2PCS/VE)	E1500453	1
5-13	5011834	CABLE SENSOR VL/RL CM1XX A1	E1500697	1
5-14	5008097	HPSU PUMP UPM2-15-70CES87 PWM	E1400024	1
5-15	5004610	BOILER SCRAPER	E1500016	1
5-16	5004993	COMBUSTION CHAMBER KEY ??????????(2 PCS/VE)	E1500489	1
5-17	5004980	BOILER BRUSH	E1500475	1
		CONDENSATE BOX		
6-1	5004950	CONDENSATE BOX CPL. ??????????SERIES 1548.	E1500443	1
6-1.1	5004591	LORO-X SEALING ELEMENT DN40 ?????(5 PCS/VE)	E1100078	1
6-2	5011495	FLEX CONDENSATE TUBE DN40 X 900 ??	E1500616	1
6-3	5011510	COVERING HOLDING FIXT. CPL.	E1500617	1
6-4	5005057	HOSE CONNECTOR CONDENSATE BOX	E1500553	1
6-5	5004824	GASKETRING DN80 PEROXIDE	E1500245	1
6-6	5004991	LIP SEAL.DN125 LAS-SHROUDR.(5PCS/VE)	E1500487	1
6-7	5004833	LAS CONNec. WITH STB SUPPORTS	E1500254	1
6-8	5004945	EXHAUST ESNSOR BO CPL.	E1500437	1